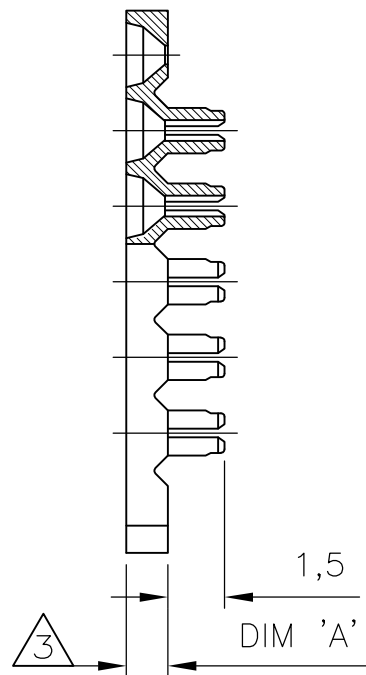
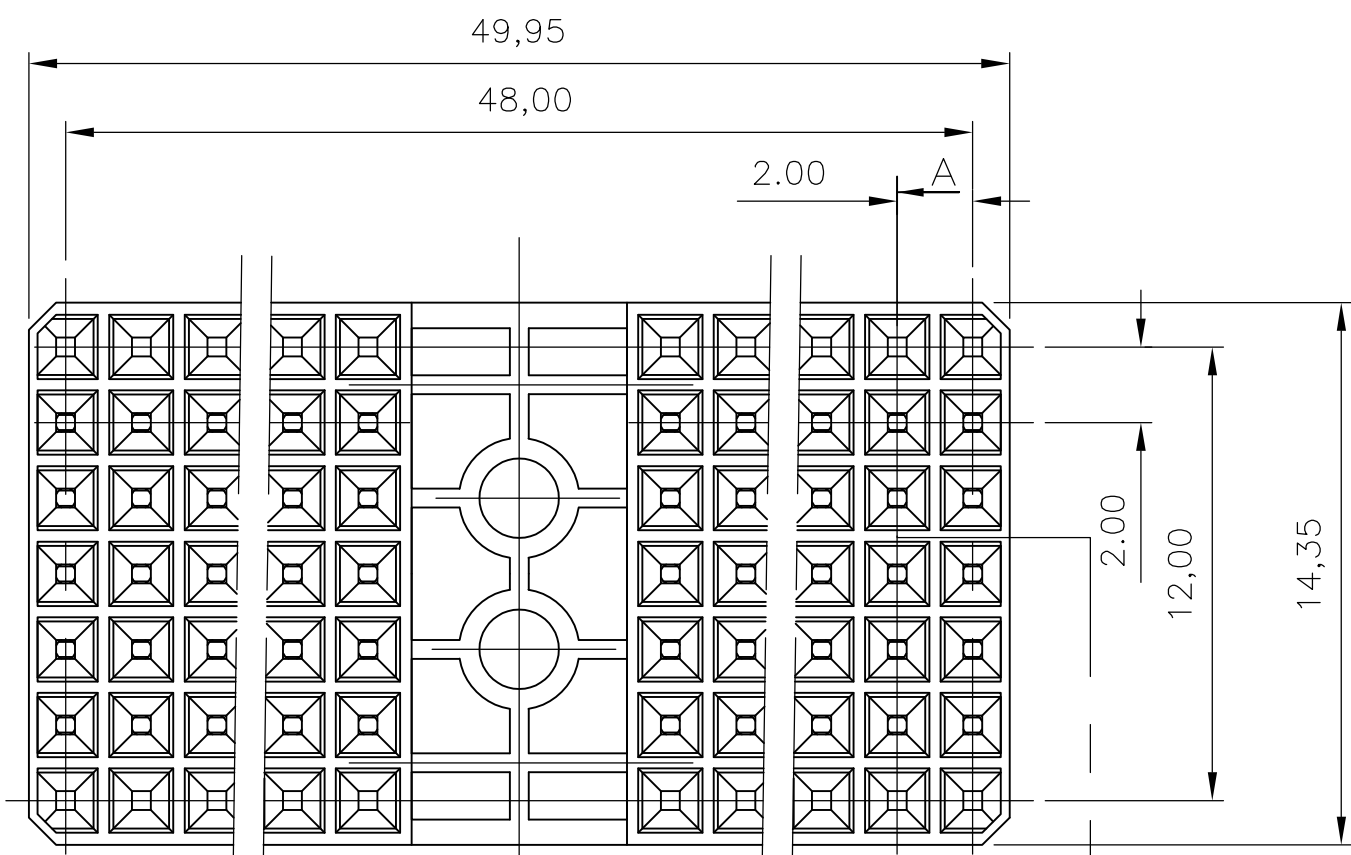


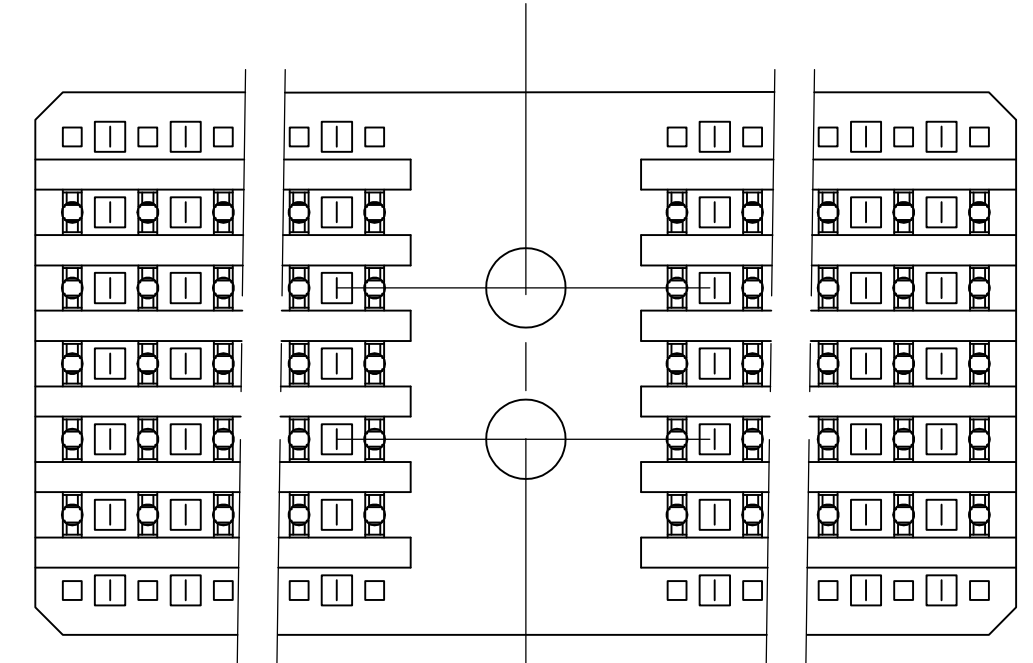
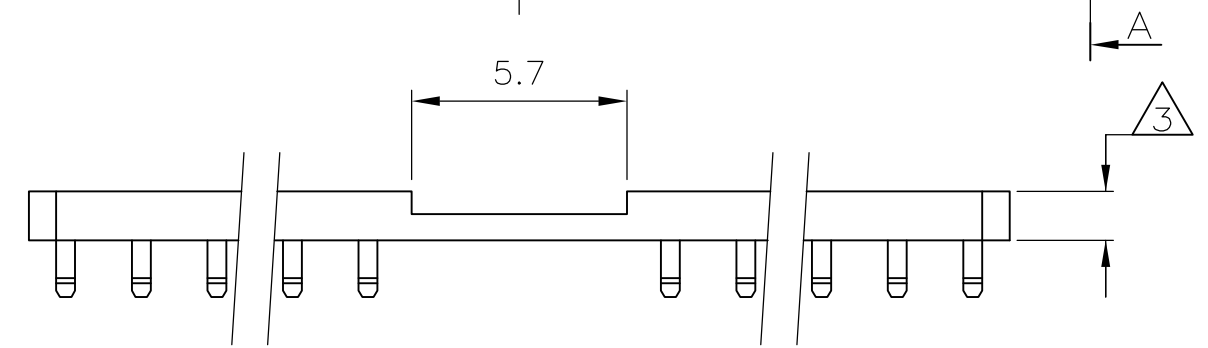
THIS DRAWING IS UNPUBLISHED. / QUESTO DISEGNO NON DEVE ESSERE DIVULGATO O RIPRODOTTO / RELEASED FOR PUBLICATION / LIBRE DE SER PUBLICADO / ALL INTERNATIONAL RIGHTS RESERVED. TODOS LOS DERECHOS RESERVADOS. LOS PRODUCTOS AMP ESTAN CUBIERTOS POR PATENTES ACTUALES O PENDIENTES / © COPYRIGHT - BY TYCO ELECTRONICS CORPORATION.

LOC	DIST	REVISIONS					
—	—	P	LTR REV	DESCRIPTION	DATE DATA	DWN DESS.	APVD APP.
		E		REVISED PER ECO-11-001163	17JAN11	RC	CW



NOTES:

- 1 MATERIAL: UNFILLED POLYESTER.(GREY)
- 2 0-106457-4 AS SHOWN.
- 3 VARIABLE HEIGHT.
- 4 TO DETERMINE THE RECOMMENDED SPACER-THICKNESS FOR A GIVEN PCB THICKNESS: SEE APPLICATION SPECIFICATION 114-19031.
- 5 OBSOLETE PARTS: OBSOLETE CIS STREAMLINING PER D.RENAUD/D.SINISI



	PARTNUMBER	4 DIM "A"
5 OBSOLETE	0-106457-1	0,7
	0-106457-2	0,9
OBSOLETE	0-106457-3	1,1
	0-106457-4	1,3
	0-106457-5	1,5
	0-106457-6	1,7
	0-106457-7	1,9

THIS DRAWING IS A CONTROLLED DOCUMENT. / QUESTO DISEGNO E' UN DOCUMENTO CONTROLLATO.		DWN/DES 29 JUNE 1993 / L.V.D.HEIJDEN	Tyco Electronics Corporation Oostkamp, Belgium.	
DIMENSIONS: DIMENSIES mm		CHK/COMP 29 JUNE 1993 / F.V.KONINGSBRUGGE		
TOLERANCES UNLESS OTHERWISE SPECIFIED: TOLERANCIAS (SUIV NB DE DECIMALES):		APVD F.V.KONINGSBRUGGE	NAME	
0 - PLC/LUG ±		PRODUCT SPEC	Z-PACK 2mm HM SPACER TYPE A	
1 - PLC/LUG ±		108-19082	SIZE TAM	CAGE CODE CODIGO
2 - PLC/DEC ± ±0.2		APPLICATION SPEC SPEC. APPLICATION	A3	00779
3 - PLC/LUG ±		114-19029	DRAWING NO	106457
4 - PLC/LUG ±		WEIGHT PESO	RESTRICTED TO RESERVE A	
ANGLES/ANGULARES ±		—	—	
MATERIAL 1		FINISH/OBERFLAECHE/FARBE ACABADO	UNIQUEMENT POUR REFERENCE	
SEE TABLE		CUSTOMER DRAWING/PLAN CLIENT	SCALE ESCALA	SHEET FEUILLE 1 OF 1
			—	REV E